

VS Series



Tecumseh

Scroll Compressors
and Condensing Units

VS Series Scroll Compressors

The Tecumseh VS Series Scroll compressor is a specially designed, high efficiency, compressor for the Commercial refrigeration market. Models are available for use with R-404A/R-507 in Low Temperature and Commercial Temperature applications in the most desirable capacities up to 6 hp.

Tecumseh has a long history in commercial refrigeration, domestic refrigerators and freezers, and air-conditioning applications. We have developed an extensive line of compressors and technologies, starting with belt-drive reciprocating mechanisms to the newest rotary and scroll designs. The Tecumseh VS Series scrolls offer the latest in efficiency and reliability required for today's markets. They are made from the start for commercial applications and have passed extensive durability and endurance tests to assure excellent performance in the field.

The Tecumseh VS Series Scroll is designed for the global market, giving you a new choice for your scroll compressor requirements around the world.



FEATURES AND BENEFITS

• FIXED SCROLL DESIGN

- Wrap Seal is maintained for better efficiency
- Contributes to quiet operation
- No wear-in period required

• FEWER MOVING PARTS

- Less wear results in better reliability

• FLOATING TIP SEAL

- Does not cause wear, resulting in consistent performance over the life of the compressor

• WIDE RANGE OF MODELS AND APPLICATION

- 1 through 6 hp to fit into most popular applications
- Commercial and Low Temperature Models

• STANDARD MOUNTING FEET AND TUBING LOCATIONS

- Fits in existing designs
- Can be used for competitive replacements

• GLOBAL OEM AND AFTERMARKET AVAILABILITY

- Production and service compressors available when and where they are needed

• DESIGNED FROM THE START FOR COMMERCIAL APPLICATIONS

- Optimized for better efficiency: 6.6 EER and better
- Tough design and testing standards to assure long life in the field



SPECIFICATIONS

R-404A/R-507 Scroll

Product

Evaporating Ranges: Commercial: 0°F to +50°F (-17.7°C to +10°C)
Low: -40°F to +10°F (-40°C to -12.2°C)

Refrigerant: R-404A / R-507

Size: 1 through 6 hp in both low and commercial temperature

Connections: Rotolock or braze suction and discharge connections

Features

Oil: Polyolester

Sightglass: Standard threaded fitting

Footprint: Industry Standard 7.5" x 7.5"

Connections: Rotolock or braze suction and discharge connections

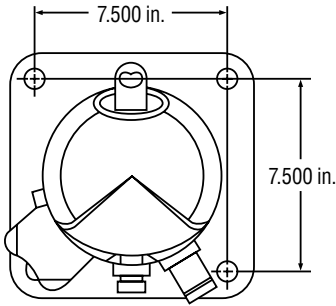
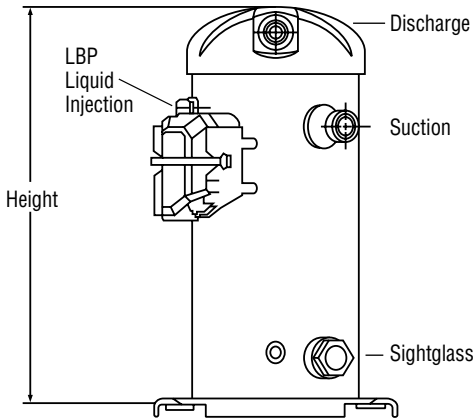
Motor Type: CSR 1ph or 3ph High Torque

Voltages: 200-230-60-3 / 200-220-50-3
208-230-60-1
220-240-50-1
460-60-3 / 380-420-50-3

Agency Listing: UL / CSA / VDE / CE — depending on voltage



DIMENSIONS



Connections: Braze or Rotolock Available

COMPRESSOR MODEL NUMBER

VS A 9 5 14 Z XT

Family

VS Series

Release Generation

Application

"9" Commercial Temperature
 "G" Low Temperature, Liquid-Injection

Capacity

Number of Digits in Rated Btu/h Capacity

Approved Voltage

NA = 208-230-60-1
 XT = 200-230-60-3 / 200-220-50-3
 XG = 460-60-3 / 380-420-50-3
 XC = 220-240-50-1

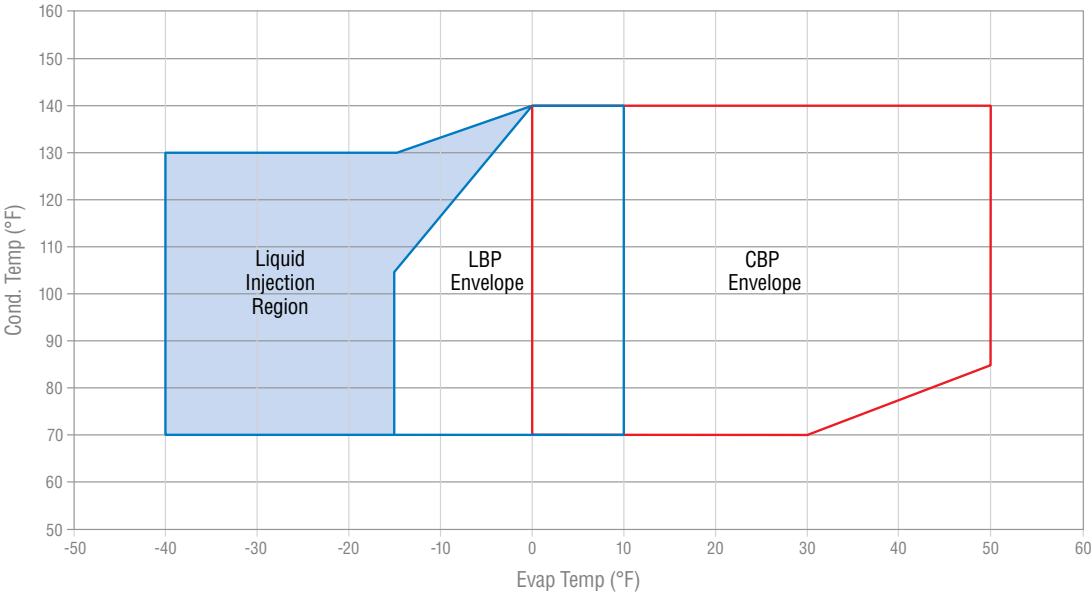
Refrigerant

Z = R-404A/R-507

Capacity

First two digits in Rated Btu/h Capacity.
 This example: 14,000 Btu/h

OPERATING ENVELOPE



| R-404A Commercial Temp | | | | R-404A Commercial Temp | | | | R-404A Commercial Temp | | | |
|------------------------|--------------|--------------|--------|------------------------|--------------|--------------|--------|------------------------|--------------|--------------|--------|
| Model | Voltage | Rating Btu/h | Height | Model | Voltage | Rating Btu/h | Height | Model | Voltage | Rating Btu/h | Height |
| VSA9490ZNA | 208-230-60-1 | 9,180 | 15.43 | VSA9514ZXC | 220-240-50-1 | 12,700 | 15.43 | VSA9521ZXG | 460-60-3 | 21,100 | 15.43 |
| VSA9490ZXG | 460-60-3 | 8,930 | 14.25 | VSA9514ZXG | 460-60-3 | 14,200 | 14.25 | VSA9521ZXT | 200-230-60-3 | 20,600 | 15.43 |
| VSA9490ZXT | 200-230-60-3 | 8,800 | 14.25 | VSA9514ZXT | 200-230-60-3 | 14,500 | 14.25 | VSA9524ZXG | 460-60-3 | 23,100 | 15.65 |
| VSA9510ZNA | 208-230-60-1 | 10,400 | 15.43 | VSA9514ZNA | 208-230-60-1 | 14,700 | 15.65 | VSA9524ZXT | 200-230-60-3 | 23,000 | 15.65 |
| VSA9510ZXC | 220-240-50-1 | 8,350 | 15.43 | VSA9517ZNA | 208-230-60-1 | 17,000 | 15.65 | VSA9528ZXG | 460-60-3 | 28,400 | 18.50 |
| VSA9510ZXG | 460-60-3 | 10,000 | 14.25 | VSA9517ZXC | 220-240-50-1 | 13,700 | 15.43 | VSA9528ZXT | 200-230-60-3 | 28,300 | 18.50 |
| VSA9510ZXT | 200-230-60-3 | 10,300 | 14.25 | VSA9517ZXG | 460-60-3 | 17,800 | 15.43 | VSA9536ZXG | 460-60-3 | 35,700 | 19.50 |
| VSA9512ZNA | 208-230-60-1 | 11,500 | 15.43 | VSA9517ZXT | 200-230-60-3 | 17,600 | 15.43 | VSA9536ZXT | 200-230-60-3 | 34,800 | 19.50 |
| VSA9512ZXG | 460-60-3 | 12,240 | 14.25 | VSA9521ZNA | 208-230-60-1 | 20,700 | 15.65 | VSA9544ZXG | 460-60-3 | 44,000 | 19.50 |
| VSA9512ZXT | 200-230-60-3 | 12,300 | 14.25 | VSA9521ZXC | 220-240-50-1 | 16,700 | 15.43 | VSA9544ZXT | 200-230-60-3 | 43,700 | 19.50 |

Commercial Temp Rating Point: 20°F Evaporator, 120°F Condensing / 40°F Return Gas, 120°F Liquid

| VS Series Scroll Commercial Temperature Compressor Performance | | | | | | | | | | | | | | |
|--|--------------|-----|--------------------------------|--------|--------|--------|--------|--------|---------------|--------|--------|--------|--------|--------|
| Btu/h at 120°F (48.9°C) Condensing Temperature | | | | | | | | | | | | | | |
| Model | Voltage | HP | Evaporator Temperature (°F/°C) | | | | | | | | | | | |
| | | | °F | 0° | 5° | 10° | 15° | 20° | 25° | 30° | 35° | 40° | 45° | 50° |
| | | | °C | -17.8° | -15° | -12.2° | -9.4° | -6.7° | -3.9° | -1.1° | 1.7° | 4.4° | 7.2° | 10° |
| VSA9490ZNA | 208-230-60-1 | 1 | | 5,830 | 6,520 | 7,270 | 8,100 | 9,000 | 10,600 | 11,800 | 13,000 | 14,400 | 15,900 | 17,500 |
| VSA9490ZXG | 460-60-3 | 1 | | --- | --- | --- | --- | --- | --- | --- | --- | --- | --- | --- |
| VSA9490ZXT | 200-230-60-3 | 1 | | 5,780 | 6,500 | 7,290 | 8,140 | 9,050 | 10,600 | 11,700 | 12,900 | 14,200 | 15,500 | 17,000 |
| VSA9510ZNA | 208-230-60-1 | 1 | | 6,660 | 7,470 | 8,380 | 9,390 | 10,500 | 12,200 | 13,400 | 14,700 | 16,300 | 18,000 | 20,000 |
| VSA9510ZXC | 220-240-50-1 | 1 | | --- | --- | --- | --- | --- | --- | --- | --- | --- | --- | --- |
| VSA9510ZXG | 460-60-3 | 1 | | --- | --- | --- | --- | --- | --- | --- | --- | --- | --- | --- |
| VSA9510ZXT | 200-230-60-3 | 1 | | 6,540 | 7,360 | 8,260 | 9,220 | 10,300 | 12,200 | 13,400 | 14,400 | 16,300 | 18,000 | 19,700 |
| VSA9512ZNA | 208-230-60-1 | 1.5 | | 7,730 | 8,660 | 9,640 | 10,700 | 11,800 | 14,100 | 15,600 | 17,100 | 18,700 | 20,500 | 22,400 |
| VSA9512ZXG | 460-60-3 | 1.5 | | --- | --- | --- | --- | --- | --- | --- | --- | --- | --- | --- |
| VSA9512ZXT | 200-230-60-3 | 1.5 | | 7,410 | 8,320 | 9,290 | 10,300 | 11,400 | 13,700 | 15,200 | 16,900 | 18,700 | 20,700 | 22,900 |
| VSA9514ZXC | 220-240-50-1 | 1.5 | | --- | --- | --- | --- | --- | --- | --- | --- | --- | --- | --- |
| VSA9514ZXG | 460-60-3 | 1.5 | | 9,340 | 10,400 | 11,600 | 12,900 | 14,300 | 17,300 | 19,400 | 21,500 | 23,800 | 26,500 | 29,500 |
| VSA9514ZXT | 200-230-60-3 | 1.5 | | 9,300 | 10,300 | 11,500 | 12,700 | 14,000 | 17,100 | 19,100 | 21,300 | 23,700 | 26,300 | 29,100 |
| VSA9514ZNA | 208-230-60-1 | 1.5 | | 9,370 | 10,500 | 11,800 | 13,100 | 14,500 | 17,100 | 18,800 | 20,600 | 22,500 | 24,500 | 26,600 |
| VSA9517ZNA | 208-230-60-1 | 2 | | 11,300 | 12,700 | 14,200 | 15,800 | 17,500 | 20,900 | 22,900 | 25,000 | 27,100 | 29,400 | 31,600 |
| VSA9517ZXC | 220-240-50-1 | 2 | | --- | --- | --- | --- | --- | --- | --- | --- | --- | --- | --- |
| VSA9517ZXG | 460-60-3 | 2 | | 11,800 | 13,100 | 14,500 | 16,000 | 17,700 | 21,000 | 23,100 | 25,500 | 28,100 | 31,000 | 31,200 |
| VSA9517ZXT | 200-230-60-3 | 2 | | 11,500 | 12,800 | 14,300 | 15,800 | 17,500 | 20,800 | 22,700 | 24,700 | 26,600 | 28,600 | 30,500 |
| VSA9521ZNA | 208-230-60-1 | 2.5 | | 14,000 | 15,700 | 17,400 | 19,300 | 21,300 | 25,000 | 27,400 | 30,000 | 32,800 | 35,800 | 39,000 |
| VSA9521ZXC | 220-240-50-1 | 2.5 | | --- | --- | --- | --- | --- | --- | --- | --- | --- | --- | --- |
| VSA9521ZXG | 460-60-3 | 2.5 | | 13,900 | 15,500 | 17,100 | 18,900 | 20,900 | 24,700 | 27,300 | 29,900 | 32,500 | 35,500 | 38,600 |
| VSA9521ZXT | 200-230-60-3 | 2.5 | | 13,600 | 15,100 | 16,800 | 18,600 | 20,700 | 23,900 | 26,400 | 29,100 | 32,100 | 35,200 | 38,700 |
| VSA9524ZXG | 460-60-3 | 3 | | 15,100 | 16,800 | 18,600 | 20,600 | 22,800 | 27,300 | 30,000 | 32,800 | 35,700 | 38,600 | 41,600 |
| VSA9524ZXT | 200-230-60-3 | 3 | | 14,900 | 16,600 | 18,400 | 20,500 | 22,700 | 27,000 | 29,900 | 33,000 | 36,300 | 39,600 | 43,000 |
| VSA9528ZXG | 460-60-3 | 4 | | --- | --- | --- | --- | --- | --- | --- | --- | --- | --- | --- |
| VSA9528ZXT | 200-230-60-3 | 4 | | 18,600 | 20,700 | 23,100 | 25,600 | 28,300 | 32,900 | 36,100 | 39,500 | 43,200 | 47,100 | 51,200 |
| VSA9536ZXG | 460-60-3 | 5 | | --- | --- | --- | --- | --- | --- | --- | --- | --- | --- | --- |
| VSA9536ZXT | 200-230-60-3 | 5 | | 23,100 | 25,800 | 28,800 | 32,000 | 35,400 | 41,400 | 45,500 | 50,000 | 54,700 | 59,600 | 64,800 |
| VSA9544ZXG | 460-60-3 | 5.5 | | --- | --- | --- | --- | --- | --- | --- | --- | --- | --- | --- |
| VSA9544ZXT | 200-230-60-3 | 5.5 | | --- | --- | --- | --- | --- | --- | --- | --- | --- | --- | --- |
| Return Gas Temperature | | | 40°F (4.4°C) | | | | | | 65°F (18.3°C) | | | | | |

| R-404A Low Temp | | | |
|-----------------|--------------|--------------|--------|
| Model | Voltage | Rating Btu/h | Height |
| VSBG475ZNA | 208-230-60-1 | 7,660 | 15.43 |
| VSAG475ZXC | 220-240-50-1 | --- | --- |
| VSAG475ZXG | 460-60-3 | --- | --- |
| VSAG475ZXT | 200-230-60-3 | 7,660 | 15.43 |
| VSBG494ZNA | 208-230-60-1 | 8,860 | 15.43 |
| VSAG494ZXC | 220-240-50-1 | --- | --- |
| VSAG494ZXG | 460-60-3 | --- | --- |
| VSAG494ZXT | 200-230-60-3 | 8,970 | 15.43 |
| VSBG511ZNA | 208-230-60-1 | 10,900 | 15.65 |
| VSAG511ZXC | 220-240-50-1 | --- | --- |
| VSAG511ZXG | 460-60-3 | --- | --- |
| VSAG511ZXT | 200-230-60-3 | 11,000 | 15.65 |

| R-404A Low Temp | | | |
|-----------------|--------------|--------------|--------|
| Model | Voltage | Rating Btu/h | Height |
| VSAG513ZNA | 208-230-60-1 | --- | --- |
| VSAG513ZXC | 220-240-50-1 | --- | --- |
| VSAG513ZXG | 460-60-3 | --- | --- |
| VSAG513ZXT | 200-230-60-3 | 12,700 | 15.65 |
| VSAG514ZNA | 208-230-60-1 | --- | 19.00 |
| VSAG514ZXG | 460-60-3 | 14,700 | 18.50 |
| VSAG514ZXT | 200-230-60-3 | 14,700 | 18.50 |
| VSAG518ZXG | 460-60-3 | 18,000 | 19.00 |
| VSAG518ZXT | 200-230-60-3 | 18,200 | 19.00 |
| VSAG523ZXG | 460-60-3 | 23,000 | 19.50 |
| VSAG523ZXT | 200-230-60-3 | 22,800 | 19.50 |

Low Temp Rating Point: -10°F Evaporator, 120°F Condensing / 40°F Return Gas, 120°F Liquid

| VS Series Scroll Low Temperature Compressor Performance | | | | | | | | | | | | | | |
|---|--------------|----|--------------------------------|--------|--------|--------|--------|--------|--------|--------|--------|--------|--------|--------|
| Btu/h at 120°F (48.9°C) Condensing Temperature | | | | | | | | | | | | | | |
| Model | Voltage | HP | Evaporator Temperature (°F/°C) | | | | | | | | | | | |
| | | | °F | -40° | -35° | -30° | -25° | -20° | -15° | -10° | -5° | 0° | 5° | 10° |
| | | | °C | -40° | -37.2° | -34.4° | -31.7° | -28.9° | -26.1° | -23.3° | -20.6° | -17.8° | -15° | -12.2° |
| VSAG475ZNA | 208-230-60-1 | 2 | --- | --- | --- | --- | --- | --- | --- | --- | --- | --- | --- | --- |
| VSAG475ZXC | 220-240-50-1 | 2 | --- | --- | --- | --- | --- | --- | --- | --- | --- | --- | --- | --- |
| VSAG475ZXG | 460-60-3 | 2 | --- | --- | --- | --- | --- | --- | --- | --- | --- | --- | --- | --- |
| VSAG475ZXT | 200-230-60-3 | 2 | 3,710 | 4,200 | 4,740 | 5,360 | 6,040 | 6,800 | 7,640 | 8,570 | 9,590 | 10,700 | 11,900 | |
| VSBG494ZNA | 208-230-60-1 | 2 | --- | --- | --- | --- | --- | --- | --- | --- | --- | --- | --- | --- |
| VSAG494ZXC | 220-240-50-1 | 2 | --- | --- | --- | --- | --- | --- | --- | --- | --- | --- | --- | --- |
| VSAG494ZXG | 460-60-3 | 2 | --- | --- | --- | --- | --- | --- | --- | --- | --- | --- | --- | --- |
| VSAG494ZXT | 200-230-60-3 | 2 | 4,430 | 5,010 | 5,670 | 6,410 | 7,230 | 8,130 | 9,120 | 10,200 | 11,400 | 12,700 | 14,100 | |
| VSBG511ZNA | 208-230-60-1 | 3 | --- | --- | --- | --- | --- | --- | --- | --- | --- | --- | --- | --- |
| VSAG511ZXC | 220-240-50-1 | 3 | --- | --- | --- | --- | --- | --- | --- | --- | --- | --- | --- | --- |
| VSAG511ZXG | 460-60-3 | 3 | --- | --- | --- | --- | --- | --- | --- | --- | --- | --- | --- | --- |
| VSAG511ZXT | 200-230-60-3 | 3 | 5,510 | 6,180 | 6,950 | 7,810 | 8,790 | 9,880 | 11,100 | 12,400 | 13,900 | 15,500 | 17,300 | |
| VSAG513ZNA | 208-230-60-1 | 3 | --- | --- | --- | --- | --- | --- | --- | --- | --- | --- | --- | --- |
| VSAG513ZXC | 220-240-50-1 | 3 | --- | --- | --- | --- | --- | --- | --- | --- | --- | --- | --- | --- |
| VSAG513ZXG | 460-60-3 | 3 | --- | --- | --- | --- | --- | --- | --- | --- | --- | --- | --- | --- |
| VSAG513ZXT | 200-230-60-3 | 3 | 6,560 | 7,380 | 8,330 | 9,390 | 10,500 | 11,800 | 13,100 | 14,400 | 15,800 | 17,300 | 18,700 | |
| VSAG514ZNA | 208-230-60-1 | 4 | --- | --- | --- | --- | --- | --- | --- | --- | --- | --- | --- | --- |
| VSAG514ZXG | 460-60-3 | 4 | --- | --- | --- | --- | --- | --- | --- | --- | --- | --- | --- | --- |
| VSAG514ZXT | 200-230-60-3 | 4 | 6,730 | 7,790 | 8,960 | 10,200 | 11,600 | 13,100 | 14,800 | 16,500 | 18,400 | 20,400 | 22,600 | |
| VSAG518ZXG | 460-60-3 | 5 | --- | --- | --- | --- | --- | --- | --- | --- | --- | --- | --- | --- |
| VSAG518ZXT | 200-230-60-3 | 5 | 8,840 | 10,000 | 11,300 | 12,700 | 14,300 | 16,100 | 18,200 | 20,400 | 22,900 | 25,700 | 28,800 | |
| VSAG523ZXG | 460-60-3 | 6 | --- | --- | --- | --- | --- | --- | --- | --- | --- | --- | --- | --- |
| VSAG523ZXT | 200-230-60-3 | 6 | 11,500 | 13,000 | 14,800 | 16,900 | 19,300 | 21,800 | 24,600 | 27,600 | 30,700 | 34,000 | 37,500 | |

Scroll Condensing Units

R-404A/R-507 Scroll Condensing Units:

- High efficiency utilizing the scroll compressor for lower operating costs
- Reliable scroll design reduces service requirements
- Compressors optimized for the application
- Popular capacities: 1 through 4 hp
- Low Temperature and Commercial Temperature models
- Indoor and outdoor units
- Well equipped
- Heavy duty metal bases
- Easy access to components and controls
- Generous coil surface area
- All units are UL approved



R404A Commercial Temperature Indoor Scroll Condensing Unit Performance
Btu/h at 90°F (32.2°C) Ambient

| Model | Bill of Material | Voltage | HP | Evaporator Temperature (°F/°C) | | | | | | |
|--------------|------------------|--------------|-----|--------------------------------|--------|--------|--------|--------|--------|--------|
| | | | | °F | -10° | 0° | 10° | 20° | 30° | 40° |
| | | | | °C | -23.3° | -17.8° | -12.2° | -6.7° | -1.1° | 4.4° |
| VSA9510ZTBXC | 14947894 | 230-200-60-3 | 1.4 | | 5,420 | 7,050 | 9,000 | 11,200 | 13,100 | 15,700 |
| VSA9515ZTBXM | 14947895 | 230-200-60-3 | 2.0 | | 7,200 | 9,650 | 12,500 | 15,900 | 18,600 | 22,600 |
| VSA9515ZNAXM | 14947896 | 230-208-60-1 | 2.2 | | 10,400 | 12,800 | 15,100 | 17,400 | 19,700 | 22,000 |
| VSA9518ZTBXM | 14947897 | 230-200-60-3 | 2.6 | | 12,200 | 14,500 | 17,400 | 21,000 | 25,200 | 30,100 |
| VSA9518ZNAXM | 14947898 | 230-208-60-1 | 2.6 | | 12,200 | 14,500 | 17,400 | 21,000 | 25,200 | 30,100 |
| VSA9522ZTBXM | 14947899 | 230-200-60-3 | 3.5 | | 12,600 | 15,700 | 19,000 | 22,800 | 26,300 | 30,200 |
| VSA9526ZTBXM | 14947901 | 230-200-60-3 | 3.6 | | 14,300 | 18,400 | 23,200 | 28,800 | 33,400 | 39,900 |
| VSA9530ZXTXM | 14947903 | 230-200-60-3 | 3.8 | | 17,100 | 20,900 | 25,300 | 30,200 | 36,200 | 42,800 |

| Model | MCA* | MFS* | Suction Conn. | Liquid Conn. | Receiver Cap. lbs | Length (in.) | Width (in.) | Height (in.) |
|--------------|------|------|---------------|--------------|-------------------|--------------|-------------|--------------|
| VSA9510ZTBXC | 8.4 | 15 | 5/8 S | 3/8 S | 6.8 | 26.3 | 21.5 | 19.6 |
| VSA9515ZTBXM | 13.0 | 20 | 5/8 S | 3/8 S | 6.8 | 33.8 | 25.0 | 19.5 |
| VSA9515ZNAXM | 19.5 | 30 | 5/8 S | 3/8 S | 6.8 | 33.8 | 25.0 | 19.5 |
| VSA9518ZTBXM | 15.1 | 25 | 5/8 S | 3/8 S | 12.3 | 33.8 | 25.0 | 19.5 |
| VSA9518ZNAXM | 25.3 | 40 | 5/8 S | 3/8 S | 12.3 | 33.8 | 25.0 | 19.5 |
| VSA9522ZTBXM | 16.0 | 25 | 7/8 S | 1/2 S | 12.3 | 33.8 | 25.0 | 19.5 |
| VSA9526ZTBXM | 22.1 | 35 | 7/8 S | 1/2 S | 27.6 | 34.3 | 25.0 | 19.5 |
| VSA9530ZXTXM | 21.6 | 35 | 7/8 S | 1/2 S | 27.6 | 34.3 | 25.0 | 19.5 |

*MCA and MFS ratings denote Minimum Circuit Ampacity and Maximum Fuse Size

CONDENSING UNIT MODEL NUMBER

VS A 9 5 14 Z XT XM

Family

VS Series

Release Generation

Application

9 = Commercial Temp
G = Low Temperature

Capacity

Rating Point BTUH Significant Digits

Capacity

First two digits in Rating Point Capacity (14,000 BTUH)

Unit Features

XC = Indoor Unit
XM = Indoor Unit
HG = Outdoor Unit

Approved Voltage

XT = 200-230-60-3
XG = 460-60-3
TB = 200-230-60-3

Refrigerant

Z = R-404A/R-507

R404A Commercial Temperature Outdoor Scroll Condensing Unit Performance
Btu/h at 95°F (35°C) Ambient

| Model | Bill of Material | Voltage | HP | Evaporator Temperature (°F/°C) | | | | | | |
|--------------|------------------|--------------|-----|--------------------------------|--------|--------|--------|--------|--------|--------|
| | | | | °F | -10° | 0° | 20° | 25° | 30° | 40° |
| | | | | °C | -23.3° | -17.8° | -6.7° | -3.9° | -1.1° | 4.4° |
| VSA9510ZTBHG | 14947880 | 230-200-60-3 | 1.5 | | 5,070 | 6,650 | 10,700 | 11,600 | 12,500 | 15,000 |
| VSA9515ZTBHG | 14947881 | 230-200-60-3 | 2.2 | | 10,100 | 12,300 | 16,800 | 18,000 | 19,100 | 21,300 |
| VSA9515ZNAHG | 14947882 | 230-208-60-1 | 2.2 | | 10,100 | 12,300 | 16,800 | 18,000 | 19,100 | 21,300 |
| VSA9518ZTBHG | 14947883 | 230-200-60-3 | 2.8 | | 11,900 | 14,200 | 20,400 | 22,400 | 24,500 | 29,100 |
| VSA9518ZNAHG | 14947884 | 230-208-60-1 | 2.8 | | 11,900 | 14,200 | 20,400 | 22,400 | 24,500 | 29,100 |
| VSA9522ZTBHG | 14947885 | 230-200-60-3 | 3.6 | | 13,300 | 18,100 | 26,800 | 28,900 | 31,000 | 37,000 |
| VSA9526ZTBHG | 14947887 | 230-200-60-3 | 3.7 | | 13,500 | 17,400 | 27,500 | 29,700 | 31,900 | 38,200 |
| VSA9530ZTHG | 14947889 | 230-200-60-3 | 4.0 | | 16,600 | 20,100 | 29,100 | 32,000 | 35,000 | 41,400 |

| Model | MCA* | MFS* | Suction Conn. | Liquid Conn. | Receiver Size | Length (in.) | Width (in.) | Height (in.) |
|--------------|------|------|---------------|--------------|---------------|--------------|-------------|--------------|
| VSA9510ZTBHG | 8.6 | 15 | 5/8 S | 3/8 S | 6 x 12 | 34.6 | 28.7 | 26.5 |
| VSA9515ZTBHG | 13.2 | 20 | 7/8 S | 3/8 S | 6 x 15 | 40.7 | 32.0 | 26.5 |
| VSA9515ZNAHG | 19.7 | 30 | 7/8 S | 3/8 S | 6 x 15 | 40.7 | 32.0 | 26.6 |
| VSA9518ZTBHG | 15.4 | 25 | 7/8 S | 3/8 S | 6 x 15 | 40.7 | 32.0 | 31.0 |
| VSA9518ZNAHG | 25.2 | 40 | 7/8 S | 3/8 S | 6 x 15 | 40.7 | 32.0 | 26.5 |
| VSA9522ZTBHG | 18.0 | 25 | 7/8 S | 1/2 S | 6 x 36 | 54.0 | 35.6 | 31.0 |
| VSA9526ZTBHG | 23.4 | 35 | 7/8 S | 1/2 S | 6 x 36 | 54.0 | 35.6 | 31.0 |
| VSA9530ZTHG | 22.9 | 35 | 7/8 S | 1/2 S | 6 x 36 | 54.0 | 35.6 | 31.0 |

*MCA and MFS ratings denote Minimum Circuit Ampacity and Maximum Fuse Size



More Options. Better Coverage.

18 Reasons Tecumseh is
Your Solid Scroll Option



Commercial refrigeration contractors and OEM design engineers now have a clear choice in Scroll technology.

VS Series Scroll Compressors and Condensing Units covering 1 to 6 HP commercial and low temperature applications.

High efficiency, great performance...right out of the box. Plus 18 new R404A models for greater application coverage. Find out why your choice should be Tecumseh Scroll: www.tecumseh.com



Tecumseh

For more information on products by Tecumseh,
please visit our website www.tecumseh.com or contact us:

Tecumseh Products Company
1136 Oak Valley Drive
Ann Arbor, MI 48108

tecumsehmarketing@tecumseh.com

Phone: 800.211.3427
734.585.9500



Tecumseh